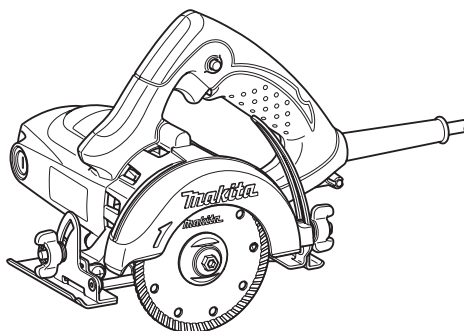


INSTRUCTION MANUAL  
MANUEL D'INSTRUCTION  
MANUAL DE INSTRUCCIONES



**Cutter**  
**Scie diamant**  
**Cortadora**  
**4100NH2**



DOUBLE INSULATION  
DOUBLE ISOLATION  
DOBLE AISLAMIENTO

**IMPORTANT:** Read Before Using.  
**IMPORTANT :** Lire avant usage.  
**IMPORTANTE:** Lea antes de usar.

# SPECIFICATIONS

Model	4100NH2	
Wheel diameter	110 mm (4-3/8")	125 mm (5")
Max. wheel thickness	2.0 mm (5/64")	2.1 mm (5/64")
Max. cutting capacities	at 90°	32.5 mm (1-1/4")
	at 45°	21.5 mm (7/8")
Rated speed (n) / No load speed (RPM)	12,200 /min	
Overall length	238 mm (9-3/8")	
Net weight	3.0 kg (6.6lbs)	

- Due to our continuing program of research and development, the specifications herein are subject to change without notice.
- Specifications may differ from country to country.
- When used with 105 mm diameter wheel, max cutting capacities are somewhat smaller than those for 110 mm diameter wheel above shown.
- Weight according to EPTA-Procedure 01/2003

## General Power Tool Safety Warnings

**⚠WARNING** Read all safety warnings and all instructions. Failure to follow the warnings and instructions may result in electric shock, fire and/or serious injury.

### Save all warnings and instructions for future reference.

The term "power tool" in the warnings refers to your mains-operated (corded) power tool or battery-operated (cordless) power tool.

#### Work area safety

1. **Keep work area clean and well lit.** Cluttered or dark areas invite accidents.
2. **Do not operate power tools in explosive atmospheres, such as in the presence of flammable liquids, gases or dust.** Power tools create sparks which may ignite the dust or fumes.
3. **Keep children and bystanders away while operating a power tool.** Distractions can cause you to lose control.

#### Electrical safety

4. **Power tool plugs must match the outlet. Never modify the plug in any way. Do not use any adapter plugs with earthed (grounded) power tools.** Unmodified plugs and matching outlets will reduce risk of electric shock.
5. **Avoid body contact with earthed or grounded surfaces such as pipes, radiators, ranges and refrigerators.** There is an increased risk of electric shock if your body is earthed or grounded.
6. **Do not expose power tools to rain or wet conditions.** Water entering a power tool will increase the risk of electric shock.
7. **Do not abuse the cord. Never use the cord for carrying, pulling or unplugging the power tool. Keep cord away from heat, oil, sharp edges or moving parts.** Damaged or entangled cords increase the risk of electric shock.

8. **When operating a power tool outdoors, use an extension cord suitable for outdoor use.** Use of a cord suitable for outdoor use reduces the risk of electric shock.
9. **If operating a power tool in a damp location is unavoidable, use a ground fault circuit interrupter (GFCI) protected supply.** Use of an GFCI reduces the risk of electric shock.

#### Personal safety

10. **Stay alert, watch what you are doing and use common sense when operating a power tool. Do not use a power tool while you are tired or under the influence of drugs, alcohol or medication.** A moment of inattention while operating power tools may result in serious personal injury.
11. **Use personal protective equipment. Always wear eye protection.** Protective equipment such as dust mask, non-skid safety shoes, hard hat, or hearing protection used for appropriate conditions will reduce personal injuries.
12. **Prevent unintentional starting. Ensure the switch is in the off-position before connecting to power source and/or battery pack, picking up or carrying the tool.** Carrying power tools with your finger on the switch or energising power tools that have the switch on invites accidents.
13. **Remove any adjusting key or wrench before turning the power tool on.** A wrench or a key left attached to a rotating part of the power tool may result in personal injury.
14. **Do not overreach. Keep proper footing and balance at all times.** This enables better control of the power tool in unexpected situations.
15. **Dress properly. Do not wear loose clothing or jewellery. Keep your hair, clothing, and gloves away from moving parts.** Loose clothes, jewellery or long hair can be caught in moving parts.
16. **If devices are provided for the connection of dust extraction and collection facilities, ensure these are connected and properly used.** Use of dust collection can reduce dust-related hazards.

## Power tool use and care

17. **Do not force the power tool. Use the correct power tool for your application.** The correct power tool will do the job better and safer at the rate for which it was designed.
18. **Do not use the power tool if the switch does not turn it on and off.** Any power tool that cannot be controlled with the switch is dangerous and must be repaired.
19. **Disconnect the plug from the power source and/or the battery pack from the power tool before making any adjustments, changing accessories, or storing power tools.** Such preventive safety measures reduce the risk of starting the power tool accidentally.
20. **Store idle power tools out of the reach of children and do not allow persons unfamiliar with the power tool or these instructions to operate the power tool.** Power tools are dangerous in the hands of untrained users.
21. **Maintain power tools. Check for misalignment or binding of moving parts, breakage of parts and any other condition that may affect the power tool's operation. If damaged, have the power tool repaired before use.** Many accidents are caused by poorly maintained power tools.
22. **Keep cutting tools sharp and clean.** Properly maintained cutting tools with sharp cutting edges are less likely to bind and are easier to control.
23. **Use the power tool, accessories and tool bits etc. in accordance with these instructions, taking into account the working conditions and the work to be performed.** Use of the power tool for operations different from those intended could result in a hazardous situation.

## Service

24. **Have your power tool serviced by a qualified repair person using only identical replacement parts.** This will ensure that the safety of the power tool is maintained.
25. **Follow instruction for lubricating and changing accessories.**
26. **Keep handles dry, clean and free from oil and grease. USE PROPER EXTENSION CORD.** Make sure your extension cord is in good condition. When using an extension cord, be sure to use one heavy enough to carry the current your product will draw. An undersized cord will cause a drop in line voltage resulting in loss of power and overheating. Table 1 shows the correct size to use depending on cord length and nameplate ampere rating. If in doubt, use the next heavier gage. The smaller the gage number, the heavier the cord.

Table 1: Minimum gage for cord

Ampere Rating		Volts	Total length of cord in feet			
		120V	25 ft.	50 ft.	100 ft.	150 ft.
		220V - 240V	50 ft.	100 ft.	200 ft.	300 ft.
More Than	Not More Than	AWG				
0	6	/	18	16	16	14
6	10		18	16	14	12
10	12		16	16	14	12
12	16		14	12	Not Recommended	

## CUTTER SAFETY WARNINGS

1. **The guard provided with the tool must be securely attached to the power tool and positioned for maximum safety, so the least amount of wheel is exposed towards the operator. Position yourself and bystanders away from the plane of the rotating wheel.** The guard helps to protect operator from broken wheel fragments and accidental contact with wheel.
2. **Use only diamond cut-off wheels for your power tool.** Just because an accessory can be attached to your power tool, it does not assure safe operation.
3. **The rated speed of the accessory must be at least equal to the maximum speed marked on the power tool.** Accessories running faster than their rated speed can break and fly apart.
4. **Wheels must be used only for recommended applications. For example: do not grind with the side of cut-off wheel.** Abrasive cut-off wheels are intended for peripheral grinding, side forces applied to these wheels may cause them to shatter.
5. **Always use undamaged wheel flanges that are of correct diameter for your selected wheel.** Proper wheel flanges support the wheel thus reducing the possibility of wheel breakage.
6. **The outside diameter and the thickness of your accessory must be within the capacity rating of your power tool.** Incorrectly sized accessories cannot be adequately guarded or controlled.
7. **The arbour size of wheels and flanges must properly fit the spindle of the power tool.** Wheels and flanges with arbour holes that do not match the mounting hardware of the power tool will run out of balance, vibrate excessively and may cause loss of control.
8. **Do not use damaged wheels. Before each use, inspect the wheels for chips and cracks. If power tool or wheel is dropped, inspect for damage or install an undamaged wheel. After inspecting and installing the wheel, position yourself and bystanders away from the plane of the rotating wheel and run the power tool at maximum no load speed for one minute.** Damaged wheels will normally break apart during this test time.

9. **Wear personal protective equipment.** Depending on application, use face shield, safety goggles or safety glasses. As appropriate, wear dust mask, hearing protectors, gloves and shop apron capable of stopping small abrasive or workpiece fragments. The eye protection must be capable of stopping flying debris generated by various operations. The dust mask or respirator must be capable of filtrating particles generated by your operation. Prolonged exposure to high intensity noise may cause hearing loss.
10. **Keep bystanders a safe distance away from work area. Anyone entering the work area must wear personal protective equipment.** Fragments of workpiece or of a broken wheel may fly away and cause injury beyond immediate area of operation.
11. **Hold the power tool by insulated gripping surfaces only, when performing an operation where the cutting accessory may contact hidden wiring or its own cord.** Cutting accessory contacting a "live" wire may make exposed metal parts of the power tool "live" and could give the operator an electric shock.
12. **Position the cord clear of the spinning accessory.** If you lose control, the cord may be cut or snagged and your hand or arm may be pulled into the spinning wheel.
13. **Never lay the power tool down until the accessory has come to a complete stop.** The spinning wheel may grab the surface and pull the power tool out of your control.
14. **Do not run the power tool while carrying it at your side.** Accidental contact with the spinning accessory could snag your clothing, pulling the accessory into your body.
15. **Regularly clean the power tool's air vents.** The motor's fan will draw the dust inside the housing and excessive accumulation of powdered metal may cause electrical hazards.
16. **Do not operate the power tool near flammable materials.** Sparks could ignite these materials.
17. **Do not use accessories that require liquid coolants.** Using water or other liquid coolants may result in electrocution or shock.

#### **Kickback and related warnings**

Kickback is a sudden reaction to a pinched or snagged rotating wheel. Pinching or snagging causes rapid stalling of the rotating wheel which in turn causes the uncontrolled power tool to be forced in the direction opposite of the wheel's rotation at the point of the binding.

For example, if an abrasive wheel is snagged or pinched by the workpiece, the edge of the wheel that is entering into the pinch point can dig into the surface of the material causing the wheel to climb out or kick out. The wheel may either jump toward or away from the operator, depending on direction of the wheel's movement at the point of pinching. Abrasive wheels may also break under these conditions.

Kickback is the result of power tool misuse and/or incorrect operating procedures or conditions and can be avoided by taking proper precautions as given below.

- a) **Maintain a firm grip on the power tool and position your body and arm to allow you to resist kickback forces.** Always use auxiliary handle, if provided, for maximum control over kickback or torque reaction during start-up. The operator can control torque reactions or kickback forces, if proper precautions are taken.
  - b) **Never place your hand near the rotating accessory.** Accessory may kickback over your hand.
  - c) **Do not position your body in line with the rotating wheel.** Kickback will propel the tool in direction opposite to the wheel's movement at the point of snagging.
  - d) **Use special care when working corners, sharp edges etc. Avoid bouncing and snagging the accessory.** Corners, sharp edges or bouncing have a tendency to snag the rotating accessory and cause loss of control or kickback.
  - e) **Do not attach a saw chain, woodcarving blade, segmented diamond wheel with a peripheral gap greater than 10 mm or toothed saw blade.** Such blades create frequent kickback and loss of control.
  - f) **Do not "jam" the wheel or apply excessive pressure. Do not attempt to make an excessive depth of cut.** Overstressing the wheel increases the loading and susceptibility to twisting or binding of the wheel in the cut and the possibility of kickback or wheel breakage.
  - g) **When wheel is binding or when interrupting a cut for any reason, switch off the power tool and hold the power tool motionless until the wheel comes to a complete stop. Never attempt to remove the wheel from the cut while the wheel is in motion otherwise kickback may occur.** Investigate and take corrective action to eliminate the cause of wheel binding.
  - h) **Do not restart the cutting operation in the workpiece. Let the wheel reach full speed and carefully re-enter the cut.** The wheel may bind, walk up or kickback if the power tool is restarted in the workpiece.
  - i) **Support panels or any oversized workpiece to minimize the risk of wheel pinching and kickback.** Large workpieces tend to sag under their own weight. Supports must be placed under the workpiece near the line of cut and near the edge of the workpiece on both sides of the wheel.
  - j) **Use extra caution when making a "pocket cut" into existing walls or other blind areas.** The protruding wheel may cut gas or water pipes, electrical wiring or objects that can cause kickback.
18. **Before using a segmented diamond wheel, make sure that the diamond wheel has the peripheral gap between segments of 10 mm or less, only with a negative rake angle.**

#### **Additional safety warnings:**



19. **Never attempt to cut with the tool held upside down in a vise. This can lead to serious accidents, because it is extremely dangerous.**
20. **Some material contains chemicals which may be toxic. Take caution to prevent dust inhalation and skin contact. Follow material supplier safety data.**

**SAVE THESE INSTRUCTIONS.**

**⚠WARNING: DO NOT** let comfort or familiarity with product (gained from repeated use) replace strict adherence to safety rules for the subject product. **MISUSE** or failure to follow the safety rules stated in this instruction manual may cause serious personal injury.

## Symbols

The followings show the symbols used for tool.

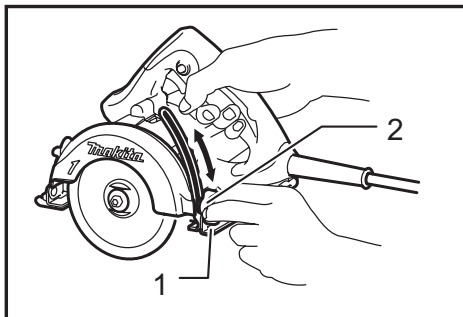
V	volts
A	amperes
Hz	hertz
	alternating current
n	rated speed
n <sub>0</sub>	no load speed
	Class II Construction
... /min	revolutions or reciprocation per minute
r /min	

## FUNCTIONAL DESCRIPTION

### ⚠CAUTION:

- Always be sure that the tool is switched off and unplugged before adjusting or checking function on the tool.

## Adjusting the depth of cut



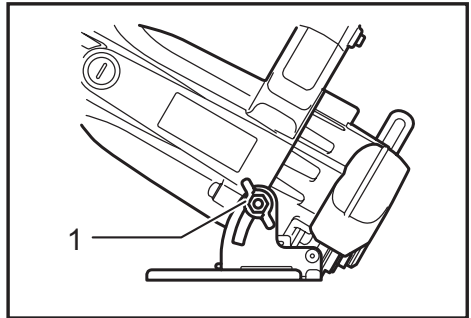
► 1. Base 2. Clamping nut

Loosen the clamping nut on the depth guide and move the base up or down. At the desired depth of cut, secure the base by tightening the clamping nut.

### ⚠CAUTION:

- After adjusting the depth of cut, always tighten the clamping nut securely.

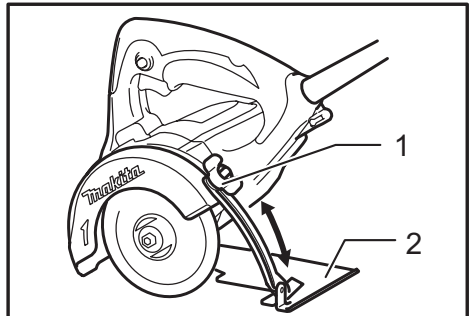
## Adjusting bevel angle



► 1. Clamping nut

Loosen the clamping nut on the bevel scale plate on the front of the base. Set for the desired angle (0 - 45 degrees) by tilting accordingly, then tighten the clamping nut with your hand securely.

Loosen the clamping nut on the depth guide and move the base up or down. At the desired depth of cut, secure the base by tightening the clamping nut.

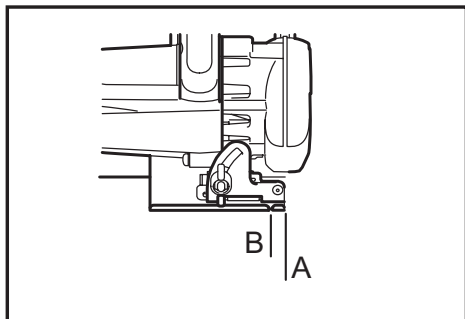


► 1. Clamping nut 2. Base

### ⚠CAUTION:

- After adjusting the depth of cut, always tighten the clamping nut securely.

## Sighting

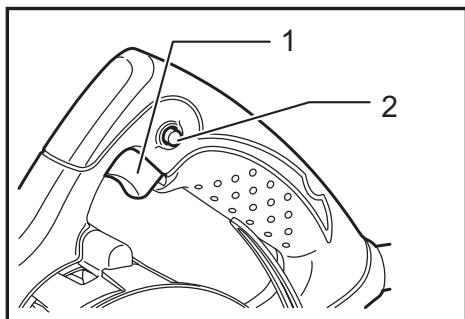


For straight cuts, align A with your cutting line on the workpiece. For 45° bevel cuts, align B with it.

## Switch action

### CAUTION:

- Before plugging in the tool, always check to see that the switch trigger actuates properly and returns to the "OFF" position when released.



► 1. Switch trigger 2. Lock button / Lock-off button

## For tool with lock button

To start the tool, simply pull the switch trigger. Release the switch trigger to stop. For continuous operation, pull the switch trigger, push in the lock button and then release the switch trigger. To stop the tool from the locked position, pull the trigger fully, then release it.

## For tool with lock-off button

To prevent the switch trigger from being accidentally pulled, a lock-off button is provided. To start the tool, depress the lock-off button and pull the switch trigger. Release the switch trigger to stop.

### CAUTION:

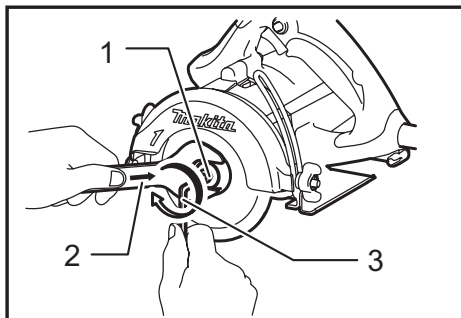
- Do not pull the switch trigger hard without pressing in the lock-off button. This can cause switch breakage.

## ASSEMBLY

### CAUTION:

- Always be sure that the tool is switched off and unplugged before carrying out any work on the tool.

## Installing or removing diamond wheel

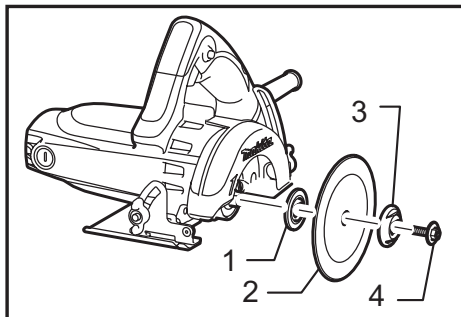


► 1. Outer flange 2. Wrench 3. Hex wrench

Hold the outer flange with the wrench and loosen the hex bolt clockwise with the hex wrench. Then remove the hex bolt, outer flange and diamond wheel.

To install the wheel, follow the removal procedure in reverse. Always install the wheel so that the arrow on the wheel points in the same direction as the arrow on the blade case.

BE SURE TO TIGHTEN THE HEX BOLT SECURELY.

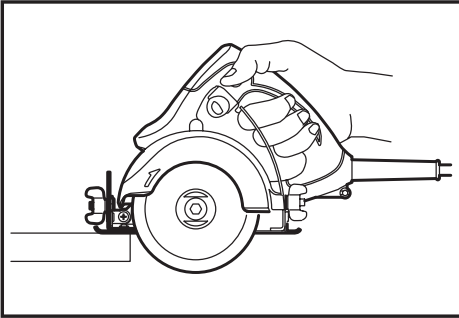


► 1. Inner flange 2. Diamond wheel 3. Outer flange  
4. Hex bolt

### CAUTION:

- Use only the Makita wrench and hex wrench to install or remove the wheel.

## OPERATION



Hold the tool firmly. Set the base plate on the workpiece to be cut without the wheel making any contact. Then turn the tool on and wait until the wheel attains full speed. Now simply move the tool forward over the workpiece surface, keeping it flat and advancing smoothly until the cutting is completed. Keep your cutting line straight and your speed of advance uniform.

### ⚠ CAUTION:

- This tool should only be used on horizontal surfaces.
- Be sure to move the tool forward in a straight line and gently. Forcing and exerting excessive pressure or allowing the wheel to bend, pinch or twist in the cut can cause overheating of the motor and dangerous kickback of the tool.

## When using a curving diamond wheel (optional accessory)

### ⚠ WARNING: Failure to follow the following warnings may result in serious injury.

- Mount the diamond wheel on the spindle of the tool making sure that the direction of arrow on the surface of the diamond wheel matches the direction of the arrow on the blade case of the tool.
- Always wear the safety goggles or safety glasses.
- The rated speed of the diamond wheel must be at least equal to the maximum speed marked on the power tool. Diamond wheels running faster than their rated speed can break and fly apart.
- Before each use, make sure with hands and eyes that the diamond wheel has no deformation, cracks, chips, breaking, or abnormal tear and wear on the cutting edge and the body of the diamond wheel.
- Stop using the diamond wheel once you find such abnormal signs.
- Perform cuts according to the shape of the curving diamond wheel.
- Do not obtain your desired cutting depth at a time but make several adjustments by setting for the small amount cutting depth

## MAINTENANCE

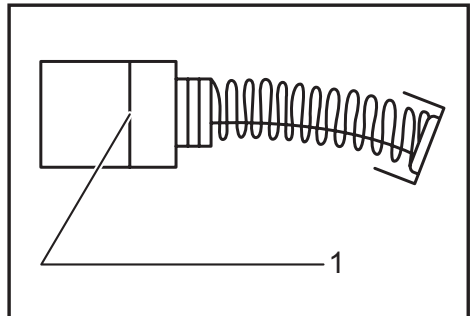
### ⚠ CAUTION:

- Always be sure that the tool is switched off and unplugged before attempting to perform inspection or maintenance.
- Never use gasoline, benzine, thinner, alcohol or the like. Discoloration, deformation or cracks may result.

## After use

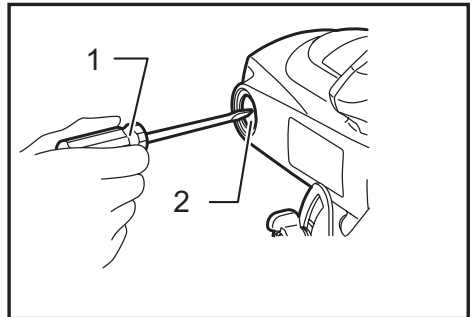
Blow away dust from the inside of the tool by running the tool at an idle for a while. Brush off accumulation of dust on the base. Accumulation of dust in the motor or on the base may cause a malfunction of the tool.

## Replacing carbon brushes



► 1. Limit mark

Remove and check the carbon brushes regularly. Replace when they wear down to the limit mark. Keep the carbon brushes clean and free to slip in the holders. Both carbon brushes should be replaced at the same time. Use only identical carbon brushes. Use a screwdriver to remove the brush holder caps. Take out the worn carbon brushes, insert the new ones and secure the brush holder caps.



► 1. Screwdriver 2. Brush holder cap

To maintain product SAFETY and RELIABILITY, repairs, any other maintenance or adjustment should be performed by Makita Authorized or Factory Service Centers, always using Makita replacement parts.

# OPTIONAL ACCESSORIES

## **⚠ CAUTION:**

- These accessories or attachments are recommended for use with your Makita tool specified in this manual. The use of any other accessories or attachments might present a risk of injury to persons. Only use accessory or attachment for its stated purpose.

If you need any assistance for more details regarding these accessories, ask your local Makita Service Center.

- Diamond wheels (Dry type)
- Wrench 22
- Hex wrench

## **NOTE:**

- Some items in the list may be included in the tool package as standard accessories. They may differ from country to country.

## MAKITA LIMITED WARRANTY

Please refer to the annexed warranty sheet for the most current warranty terms applicable to this product. If annexed warranty sheet is not available, refer to the warranty details set forth at below website for your respective country.

United States of America: [www.makitatools.com](http://www.makitatools.com)

Canada: [www.makita.ca](http://www.makita.ca)

Other countries: [www.makita.com](http://www.makita.com)



## SPÉCIFICATIONS

Modèle		4100NH2	
Diamètre de la meule		110 mm (4-3/8")	125 mm (5")
Épaisseur max. meule		2,0 mm (5/64")	2,1 mm (5/64")
Capacités de coupe max.	à 90°	32,5 mm (1-1/4")	40 mm (1-9/16")
	à 45°	21,5 mm (7/8")	27 mm (1-1/16")
Vitesse nominale (n) / Vitesse à vide (T/MIN)		12 200 /min	
Longueur totale		238 mm (9-3/8")	
Poids net		3,0 kg (6,6lbs)	

- Étant donné l'évolution constante de notre programme de recherche et de développement, les spécifications contenues dans ce manuel sont sujettes à modification sans préavis.
- Les spécifications peuvent varier suivant les pays.
- Lors de l'utilisation de la meule de 105 mm de diamètre, la capacité maximale de coupe est légèrement inférieure aux capacités indiquées ci-dessus pour la meule de 110 mm.
- Poids conforme à la procédure EPTA du 01/2003

### Consignes de sécurité générales pour outils électriques

**⚠ MISE EN GARDE** Veuillez lire toutes les mises en garde de sécurité et toutes les instructions. L'ignorance des mises en garde et des instructions comporte un risque de choc électrique, d'incendie et/ou de blessure grave.

### Conservez toutes les mises en garde et instructions pour référence future.

Le terme « outil électrique » qui figure dans les avertissements fait référence à un outil électrique branché sur une prise de courant (par un cordon d'alimentation) ou alimenté par batterie (sans fil).

#### Sécurité de la zone de travail

1. **Maintenez la zone de travail propre et bien éclairée.** Les zones de travail encombrées ou sombres ouvrent grande la porte aux accidents.
2. **N'utilisez pas les outils électriques dans les atmosphères explosives, par exemple en présence de liquides, gaz ou poussières inflammables.** Les outils électriques produisent des étincelles au contact desquelles la poussière ou les vapeurs peuvent s'enflammer.
3. **Assurez-vous qu'aucun enfant ou curieux ne s'approche pendant que vous utilisez un outil électrique.** Vous risquez de perdre la maîtrise de l'outil si votre attention est détournée.

#### Sécurité en matière d'électricité

4. **Les fiches d'outil électrique sont conçues pour s'adapter parfaitement aux prises de courant. Ne modifiez jamais la fiche de quelque façon que ce soit. N'utilisez aucun adaptateur de fiche sur les outils électriques avec mise à la terre.** En ne modifiant pas les fiches et en les insérant dans des prises de courant pour lesquelles elles ont été conçues vous réduirez les risques de choc électrique.

5. **Évitez tout contact corporel avec les surfaces mises à la terre, telles que les tuyaux, radiateurs, cuisinières et réfrigérateurs.** Le risque de choc électrique est plus élevé si votre corps se trouve mis à la terre.
6. **N'exposez pas les outils électriques à la pluie ou à l'eau.** La présence d'eau dans un outil électrique augmente le risque de choc électrique.
7. **Ne maltraitez pas le cordon. N'utilisez jamais le cordon pour transporter, tirer ou débrancher l'outil électrique. Maintenez le cordon à l'écart des sources de chaleur, de l'huile, des objets à bords tranchants et des pièces en mouvement.** Le risque de choc électrique est plus élevé lorsque les cordons sont endommagés ou enchevêtrés.
8. **Lorsque vous utilisez un outil électrique à l'extérieur, utilisez un cordon prolongateur prévu à cette fin.** Les risques de choc électrique sont moindres lorsqu'un cordon conçu pour l'extérieur est utilisé.
9. **Si vous devez utiliser un outil électrique dans un endroit humide, utilisez une source d'alimentation protégée par un disjoncteur de fuite à la terre.** L'utilisation d'un disjoncteur de fuite à la terre réduit le risque de choc électrique.

#### Sécurité personnelle

10. **Restez alerte, attentif à vos mouvements et faites preuve de bon sens lorsque vous utilisez un outil électrique. Évitez d'utiliser un outil électrique si vous êtes fatigué ou si vous avez pris une drogue, de l'alcool ou un médicament.** Un moment d'inattention pendant l'utilisation d'un outil électrique peut entraîner une grave blessure.
11. **Portez des dispositifs de protection personnelle. Portez toujours un protecteur pour la vue.** Les risques de blessure seront moins élevés si vous utilisez des dispositifs de protection tels qu'un masque antipoussières, des chaussures à semelle antidérapante, une coiffure résistante ou une protection d'oreilles.

12. **Évitez les démarrages accidentels. Assurez-vous que l'interrupteur soit en position d'arrêt avant de brancher l'outil à la prise électrique et/ ou au bloc-piles, avant de prendre ou de transporter l'outil.** Vous ouvrez la porte aux accidents si vous transportez les outils électriques avec le doigt sur l'interrupteur ou si vous les branchez alors que l'interrupteur est en position de marche.
13. **Retirez toute clé de réglage ou de serrage avant de mettre l'outil sous tension.** Toute clé laissée en place sur une pièce rotative de l'outil électrique peut entraîner une blessure.
14. **Maintenez une bonne position. Assurez-vous d'une bonne prise au sol et d'une bonne position d'équilibre en tout temps.** Cela vous permettra d'avoir une meilleure maîtrise de l'outil dans les situations imprévues.
15. **Portez des vêtements adéquats. Ne portez ni vêtements amples ni bijoux. Vous devez maintenir cheveux, vêtements et gants à l'écart des pièces en mouvement.** Les pièces en mouvement peuvent happer les vêtements amples, les bijoux et les cheveux longs.
16. **Si des accessoires sont fournis pour raccorder un appareil d'aspiration et de collecte de la poussière, assurez-vous qu'ils sont correctement raccordés et qu'ils sont utilisés de manière adéquate.** L'utilisation d'un appareil d'aspiration permet de réduire les risques liés à la présence de poussière dans l'air.

#### Utilisation et entretien des outils électriques

17. **Ne forcez pas l'outil électrique. Utilisez l'outil électrique adéquat suivant le type de travail à effectuer.** Si vous utilisez l'outil électrique adéquat et respectez le régime pour lequel il a été conçu, il effectuera un travail de meilleure qualité et de façon plus sécuritaire.
18. **N'utilisez pas l'outil électrique s'il n'est pas possible de mettre sa gâchette en position de marche et d'arrêt.** Un outil électrique dont l'interrupteur est défectueux représente un danger et doit être réparé.
19. **Débranchez la fiche de la source d'alimentation et/ou retirez le bloc-piles de l'outil électrique avant d'effectuer tout réglage, de changer un accessoire ou de ranger l'outil électrique.** De telles mesures préventives réduisent les risques de démarrage accidentel de l'outil électrique.

20. **Après l'utilisation d'un outil électrique, rangez-le hors de portée des enfants et ne laissez aucune personne l'utiliser si elle n'est pas familiarisée avec l'outil électrique ou les présentes instructions d'utilisation.** Les outils électriques représentent un danger entre les mains de personnes qui n'en connaissent pas le mode d'utilisation.
21. **Veillez à l'entretien des outils électriques. Assurez-vous que les pièces mobiles ne sont pas désalignées ou coincées, qu'aucune pièce n'est cassée et que l'outil électrique n'a subi aucun dommage affectant son bon fonctionnement. Le cas échéant, faites réparer l'outil électrique avant de l'utiliser.** De nombreux accidents sont causés par des outils électriques mal entretenus.
22. **Maintenez les outils tranchants bien aiguisés et propres.** Un outil tranchant dont l'entretien est effectué correctement et dont les bords sont bien aiguisés risquera moins de se coincer et sera plus facile à maîtriser.
23. **Utilisez l'outil électrique, ses accessoires, ses embouts, etc., en respectant les présentes instructions, en tenant compte des conditions de travail et du type de travail à effectuer.** L'utilisation d'un outil électrique à des fins autres que celles prévues peut entraîner une situation dangereuse.

#### Réparation

24. **Faites réparer votre outil électrique par un réparateur qualifié qui utilise des pièces de rechange identiques aux pièces d'origine.** Le maintien de la sûreté de l'outil électrique sera ainsi assuré.
25. **Suivez les instructions de lubrification et de changement des accessoires.**
26. **Maintenez les poignées de l'outil sèches, propres et exemptes d'huile ou de graisse.**  
**UTILISEZ UN CORDON PROLONGATEUR APPROPRIÉ.** Assurez-vous que votre cordon prolongateur est en bonne condition. Lorsque vous utilisez un cordon prolongateur, assurez-vous qu'il est assez robuste pour transporter le courant exigé par le produit. Un cordon qui est trop petit entraînera une baisse dans la tension composée, ce qui causera une perte d'énergie et un surchauffage. Le tableau 1 indique la dimension de cordon à utiliser, en fonction de la longueur du cordon et de l'intensité nominale figurant sur la plaque signalétique. En cas de doute, utilisez un cordon plus robuste. Plus le numéro de calibre est bas, plus le cordon est robuste.

Tableau 1. Gabarit minimum du cordon

Intensité nominale		Volts	Longueur totale du cordon en pieds				
		120V	25 pi	50 pi	100 pi	150 pi	
		220V - 240V	50 pi	100 pi	200 pi	300 pi	
Plus de	Pas plus de	Calibre américain des fils					
0	6	/	18	16	16	14	
6	10		18	16	14	12	
10	12		16	16	14	12	
12	16		14	12	Non recommandé		

## CONSIGNES DE SÉCURITÉ POUR LA SCIE DIAMANT

- 1. La protection fournie avec l'outil doit être solidement attachée à l'outil électrique et positionnée pour un maximum de sécurité, afin qu'un minimum de disque soit exposé vers l'utilisateur. Positionnez-vous et les passants loin de la surface du disque en rotation.** La protection permet de protéger l'utilisateur des fragments cassés de disque et d'un contact accidentel avec le disque.
- 2. N'utilisez les disques à couper que pour l'outil électrique.** Ce n'est pas parce qu'un accessoire peut être attaché à votre outil électrique qu'un fonctionnement sûr est assuré.
- 3. La vitesse nominale de l'accessoire doit être au moins égale à la vitesse maximale marquée sur l'outil.** Les accessoires fonctionnant à une vitesse supérieure à leur vitesse nominale peuvent se briser et voler en morceau.
- 4. Les disques ne doivent être utilisés que pour des applications recommandées. Par exemple : ne meulez pas avec le côté du disque à couper.** Les disques à couper abrasifs sont conçus pour le meulage périphérique. Ils peuvent être brisés par l'application d'une force latérale.
- 5. Utilisez toujours des flasques de disque en parfait état et dont le diamètre correspond au disque sélectionné.** Les flasques adéquats, en soutenant le disque, réduisent les risques de rupture du disque.
- 6. Le diamètre extérieur et l'épaisseur de votre accessoire doivent respecter la capacité nominale de votre outil.** Il est impossible de protéger ou de contrôler adéquatement les accessoires d'une dimension inappropriée.
- 7. La taille de l'alésage des disques et des flasques doit être bien adaptée à l'axe de l'outil électrique.** Les disques et flasques dont l'alésage ne correspond pas au support de montage de l'outil électrique se déséquilibreront, vibreront trop et risqueront de causer une perte de maîtrise de l'outil.
- 8. N'utilisez pas de disques endommagés. Avant chaque utilisation, vérifiez l'absence de copeaux et fissures sur le disque. Si vous échappez l'outil électrique ou le disque, assurez-vous que le disque n'a subi aucun dommage ou remplacez-le par un disque en bon état. Après avoir vérifié et installé le disque, tenez l'outil de façon que le disque en rotation se trouve loin de vous et de toute personne présente, et faites tourner l'outil à vide pendant une minute à vitesse maximale.** Si le disque est endommagé il devrait normalement se casser lors de ce test.
- 9. Portez des dispositifs de sécurité personnelle. Suivant le type de travail à effectuer, portez un masque de protection ou des lunettes étanches ou des lunettes de sécurité. Au besoin, portez un masque antipoussières, des protections d'oreilles, des gants et un tablier de travail résistant aux petites pièces abrasives et aux fragments de pièce.** La protection oculaire utilisée doit pouvoir protéger contre les débris projetés lors des diverses opérations. Le masque antipoussières ou le respirateur doit pouvoir filtrer les poussières générées par votre travail. L'exposition trop longue à un bruit très intense peut entraîner des lésions de l'ouïe.
- 10. Tenez les curieux à distance de votre zone de travail. Toute personne pénétrant dans votre zone de travail doit porter des dispositifs de protection personnelle.** Des fragments de pièce ou un disque cassé peuvent être projetés et blesser quelqu'un même s'il ne se trouve pas tout prêt de vous.
- 11. Tenez l'outil électrique uniquement par ses surfaces de prise isolées pendant toute opération où l'accessoire de coupe pourrait venir en contact avec un câblage dissimulé ou avec son propre cordon.** En cas de contact de l'accessoire de coupe avec un conducteur sous tension, les pièces métalliques à découvert de l'outil électrique risqueraient de transmettre une décharge à l'utilisateur.
- 12. Positionnez le cordon loin de l'accessoire rotatif.** Si vous perdez le contrôle, le cordon pourrait être sectionné ou accroché et il est possible que votre main ou votre bras soit tiré dans le disque rotatif.
- 13. Ne reposez jamais l'outil tant que l'accessoire ne s'est pas complètement immobilisé.** Le disque rotatif pourrait s'agripper à la surface et rendre l'outil incontrôlable.
- 14. Ne faites pas fonctionner l'outil lorsque vous le transportez.** Un contact accidentel avec l'accessoire rotatif pourrait accrocher vos vêtements et entraîner l'accessoire vers votre corps.
- 15. Nettoyez régulièrement les fentes d'aération.** Le ventilateur du moteur attirera la poussière à l'intérieur du boîtier et une accumulation excessive de métal fritté pourrait provoquer des dangers électriques.
- 16. N'utilisez pas l'outil électrique près de matériaux inflammables.** Les étincelles qui jaillissent de l'outil risqueraient de faire prendre en feu ces matériaux.
- 17. N'utilisez pas d'accessoires nécessitant de réfrigérants fluides.** L'utilisation d'eau ou d'autres réfrigérants fluides pourrait provoquer l'électrocution ou une décharge électrique.

### Avertissements de rebond et connexes

Le recul est une réaction brusque qui se produit lorsqu'un disque en rotation est pincé ou coincé. Le pincement ou le coincement provoque un arrêt soudain du disque en rotation qui, à son tour, propulse l'outil électrique hors de contrôle, dans la direction opposée au sens de rotation du disque au point de grippage. Par exemple, si un disque abrasif est accroché ou pincé par l'ouvrage, la lame du disque qui est entré au point de pincement peut creuser dans la surface du matériel ce qui entraînera le rejet du disque. Le disque peut s'éjecter en direction de l'utilisateur ou au loin, selon la direction du mouvement du disque au point de pincement. Les disques abrasifs peuvent également se casser dans ces conditions.

Le rebond est le résultat d'une mauvaise utilisation et/ou de mauvaises méthodes ou conditions d'utilisation. On peut l'éviter en prenant les précautions ci-dessous.

- a) **Maintenez une bonne prise sur l'outil et positionnez votre corps afin de vous permettre de résister aux forces de recul. Utilisez toujours la poignée latérale, le cas échéant, pour contrôler au maximum le recul ou la réaction de couple durant le démarrage.** Si les précautions adéquates ont été prises, l'opérateur peut contrôler les réactions de couple ou les forces de recul.
- b) **Ne placez jamais votre main près de l'accessoire en rotation.** L'accessoire pourrait reculer sur votre main.
- c) **Ne vous positionnez pas parallèlement au disque en rotation.** Le recul propulsera l'outil dans la direction opposée au mouvement du disque sur le point d'accroc.
- d) **Soyez particulièrement prudent lorsque vous travaillez sur des coins, des bords pointus, etc. Évitez que l'accessoire ne rebondisse et ne s'accroche.** Les coins, les bords pointus ou les rebondissements, ont tendance à générer un accrochage de l'accessoire rotatif et à provoquer une perte de contrôle ou un recul.
- e) **N'attachez pas de chaîne coupante, de lame de sculpture, de disque diamanté segmenté avec un espace périphérique de plus de 10 mm ou une lame en dents de scie.** De telles lames créent fréquemment un recul et une perte de contrôle.
- f) **Ne « bloquez » pas le disque et n'appliquez pas de pression excessive. N'essayez pas de faire une découpe trop profonde.** Une surcharge du disque augmente la charge et la susceptibilité de torsion ou de coincement du disque dans la coupe et la possibilité de recul ou de cassure du disque.
- g) **Lorsque le disque se coince ou que vous interrompez une coupe pour une raison quelconque, éteignez l'outil électrique et maintenez-le immobile jusqu'à ce que le disque s'arrête complètement. Ne cherchez jamais à sortir le disque de la coupe pendant que le disque est encore en mouvement, car vous vous exposeriez à un recul.** Si le disque a tendance à se coincer, recherchez-en la cause et apportez les correctifs appropriés.
- h) **Ne redémarrez pas le découpage dans la pièce. Laissez le disque atteindre sa pleine vitesse et remplacez avec précaution l'outil dans la coupe.** Le disque peut se coincer, se rapprocher ou provoquer un recul si l'outil électrique est redémarré dans la pièce.
- i) **Assurez un soutien aux panneaux ou à toute pièce surdimensionnée pour réduire le risque de pincement du disque ou de recul.** Les grandes pièces ont tendance à s'affaisser sous leur propre poids. Placez des points d'appui sous la pièce près de la ligne de coupe et près des bords de la pièce des deux côtés du disque.
- j) **Soyez particulièrement prudent lorsque vous découpez une ouverture dans une cloison existante ou tout autre matériau dont l'arrière n'est pas visible.** Le disque pourrait couper une conduite de gaz ou d'eau, des fils électriques ou des objets qui risquent de provoquer un recul.

18. **Avant d'utiliser un disque diamanté segmenté, assurez-vous que le disque diamanté présente un espace périphérique de 10 mm ou moins, avec un angle de coupe négatif seulement.**

Consignes de sécurité supplémentaire :



19. **Ne tentez jamais de couper en bloquant l'outil la tête en bas dans un étai. Cela est très dangereux et peut entraîner de graves accidents.**
20. **Certains matériaux contiennent des produits chimiques qui peuvent être toxiques. Prenez les précautions nécessaires pour éviter l'inhalation de ces poussières ou leur contact avec la peau. Conformez-vous aux consignes de sécurité du fournisseur du matériau.**

## CONSERVEZ CE MODE D'EMPLOI.

**⚠ MISE EN GARDE : NE VOUS LAISSEZ PAS tromper (au fil d'une utilisation répétée) par un sentiment d'aisance ou de familiarité avec le produit en négligeant les consignes de sécurité qui accompagnent le produit. L'utilisation non sécuritaire ou incorrecte de cet outil comporte un risque de blessure grave.**

### Symboles

Les symboles utilisés pour l'outil sont indiqués ci-dessous.

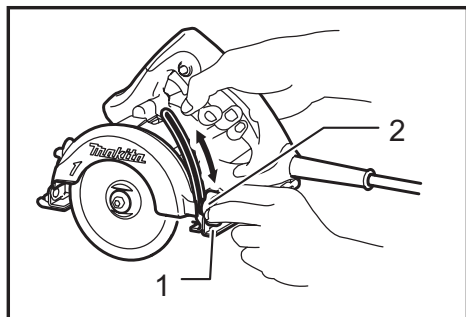
V	volts
A	ampères
Hz	hertz
	courant alternatif
n	vitesse nominale
n <sub>0</sub>	vitesse à vide
	construction, catégorie II
... /min r /min	tours ou alternances par minute

# DESCRIPTION DU FONCTIONNEMENT

## ⚠ ATTENTION :

- Assurez-vous toujours que l'outil est hors tension et débranché avant de l'ajuster ou de vérifier son fonctionnement.

## Réglage de la profondeur de coupe



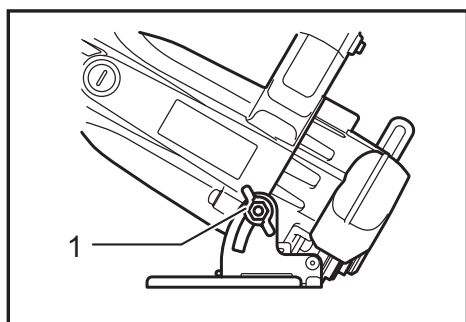
► 1. Base 2. Écrou de serrage

Desserrez l'écrou de serrage sur le guide de profondeur, et déplacez la base vers le haut ou vers le bas. Une fois atteinte la profondeur de coupe désirée, fixez la base en place en serrant l'écrou de serrage.

## ⚠ ATTENTION :

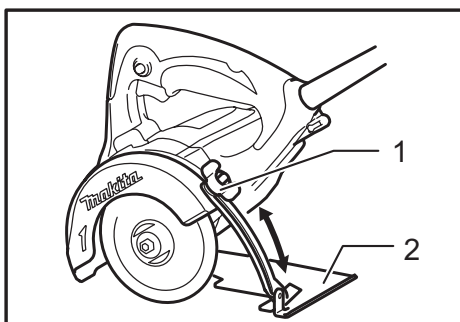
- Après avoir réglé la profondeur de coupe, serrez toujours l'écrou de serrage fermement.

## Réglage de l'angle de coupe en biseau



► 1. Écrou de serrage

Desserrez l'écrou de serrage de la plaque graduée biseau-tée qui se trouve à l'avant de la base. Choisissez l'angle désiré (0 à 45 degrés) en inclinant l'outil tel que requis, puis serrez manuellement l'écrou de serrage fermement. Desserrez l'écrou de serrage sur le guide de profondeur, et déplacez la base vers le haut ou vers le bas. Une fois atteinte la profondeur de coupe désirée, fixez la base en place en serrant l'écrou de serrage.

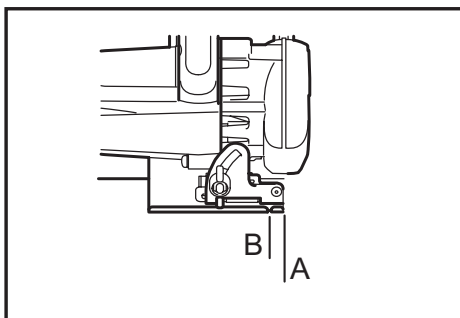


► 1. Écrou de serrage 2. Base

## ⚠ ATTENTION :

- Après avoir réglé la profondeur de coupe, serrez toujours l'écrou de serrage fermement.

## Visée

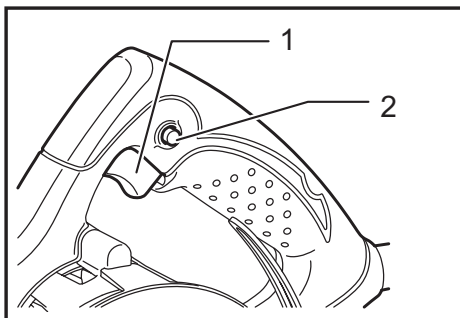


Pour les coupes rectilignes, alignez le point A avec la ligne de coupe sur la pièce. Pour les coupes en biseau à 45°, alignez le point B avec celle-ci.

## Interrupteur

### ⚠ ATTENTION :

- Avant de brancher l'outil, assurez-vous toujours que la gâchette fonctionne correctement et revient en position d'arrêt une fois relâchée.



► 1. Gâchette 2. Bouton de verrouillage / Bouton de sécurité

## Pour outil avec bouton de verrouillage

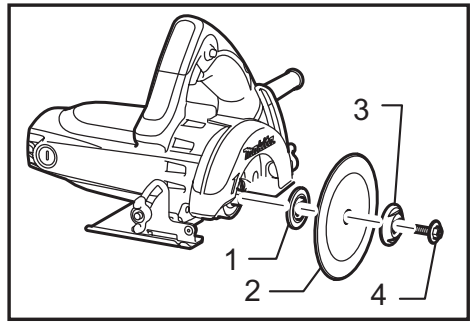
Pour démarrer l'outil, appuyez simplement sur la gâchette. Pour arrêter l'outil, relâchez la gâchette. Pour un fonctionnement en continu, appuyez sur la gâchette, enfoncez le bouton de verrouillage et relâchez la gâchette. Pour arrêter l'outil à partir de la position verrouillée, pressez à fond sur la gâchette, puis relâchez-la.

## Pour outil avec bouton de sécurité

Un bouton de sécurité est fourni pour prévenir la pression accidentelle sur la gâchette. Pour mettre l'outil en marche, enfoncez le bouton de sécurité puis appuyez sur la gâchette. Pour l'arrêter, relâchez la gâchette.

### ⚠ ATTENTION :

- N'appuyez pas fortement sur la gâchette sans avoir d'abord enfoncé le bouton de sécurité. Vous risqueriez de briser la gâchette.



- 1. Bague interne 2. Meule diamantée 3. Bague externe 4. Boulon hexagonal

### ⚠ ATTENTION :

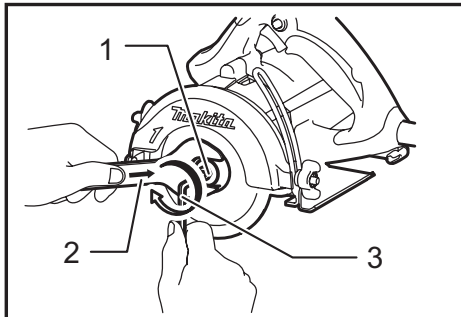
- Utilisez uniquement la clé et la clé hexagonale Makita pour installer ou enlever la lame.

## ASSEMBLAGE

### ⚠ ATTENTION :

- Avant d'effectuer toute intervention sur l'outil, assurez-vous toujours qu'il est hors tension et débranché.

## Installation et retrait du disque diamant



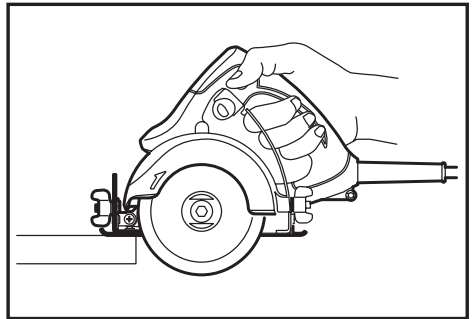
- 1. Bague externe 2. Clé 3. Clé hexagonale

Tenez le flasque extérieur avec la clé et desserrez le boulon hexagonal en tournant dans le sens des aiguilles d'une montre avec la clé hexagonale. Retirez ensuite le boulon hexagonal, le flasque extérieur et le disque diamant.

Pour installer le disque, suivez la procédure de retrait en sens inverse. Installez toujours le disque de sorte que sa flèche pointe dans le même sens que celle du boîtier de la lame.

**VOUS DEVEZ SERRER LE BOULON HEXAGONAL FERMEMENT.**

## UTILISATION



Tenez fermement l'outil. Posez la plaque de base sur la pièce à couper, sans que le disque n'entre en contact avec quoi que ce soit. Mettez ensuite le contact et attendez que le disque atteigne sa pleine vitesse. Déplacez ensuite simplement l'outil vers l'avant sur la pièce, en le gardant à plat et en progressant doucement jusqu'à ce que la coupe soit achevée. Maintenez votre ligne de coupe droite et votre vitesse de progression constante.

### ⚠ ATTENTION :

- Cet outil ne peut être utilisé que sur des surfaces horizontales.
- Veillez à bien déplacer l'outil en avant, en droite ligne et en douceur. Si vous forcez dessus ou exercez une pression excessive, si vous courbez, tordez ou coinciez le disque dans l'entaille, vous risquez de surchauffer le moteur et un dangereux retour en arrière de l'outil.

## Lorsque vous utilisez une meule diamant incurvée (accessoire en option)

**⚠ MISE EN GARDE :** Le non-respect des avertissements suivants peut entraîner de graves blessures.

- Montez la meule diamant sur l'axe de l'outil en veillant à ce que le sens de la flèche sur la meule diamant soit le même que sur le boîtier de la lame de l'outil.
- Portez toujours des lunettes de protection.
- La vitesse nominale de la meule diamant doit être au moins égale à la vitesse maximale indiquée sur l'outil électrique. Les meules diamant fonctionnant au-delà de leur vitesse nominale peuvent se casser en projetant des morceaux.
- Avant chaque utilisation, vérifiez à l'œil nu et à la main que la meule diamant ne présente aucune déformation, craquelure, éclat, cassure ou usure anormale au niveau du tranchant et du corps.
- Cessez d'utiliser la meule diamant si vous constatez des anomalies de ce type.
- Procédez à la coupe en tenant compte de la forme de la meule diamant incurvée.
- Ne cherchez pas à obtenir la profondeur de coupe souhaitée en une fois, effectuez plusieurs passages pour augmenter la profondeur de coupe.

## ENTRETIEN

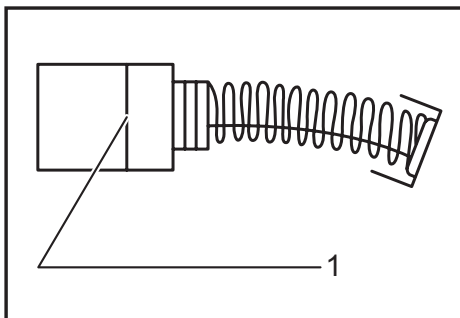
**⚠ ATTENTION :**

- Assurez-vous toujours que l'outil est hors tension et débranché avant d'y effectuer tout travail d'inspection ou d'entretien.
- N'utilisez jamais d'essence, de benzine, de solvant, d'alcool ou d'autres produits similaires. Une décoloration, une déformation, ou la formation de fissures peuvent en découler.

## Après l'utilisation

Après utilisation de votre outil, éliminez les débris, etc. en le faisant tourner un instant à vide. Brossez les débris et les poussières accumulés sur l'embase. Toute accumulation de déchets dans le moteur ou sur l'embase risque d'entraîner un fonctionnement défectueux de l'outil.

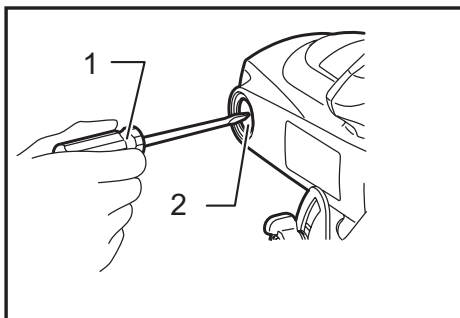
## Remplacement des charbons



► 1. Trait de limite d'usure

Retirez et vérifiez régulièrement les charbons. Remplacez-les lorsqu'ils sont usés jusqu'au trait de limite d'usure. Maintenez les charbons propres et en état de glisser aisément dans les porte-charbon. Les deux charbons doivent être remplacés en même temps. N'utilisez que des charbons identiques.

Utilisez un tournevis pour retirer les bouchons de porte-charbon. Enlevez les charbons usés, insérez-en de nouveaux et revissez solidement les bouchons de porte-charbon.



► 1. Tournevis 2. Bouchon de porte-charbon

Pour maintenir la SÉCURITÉ et la FIABILITÉ du produit, les réparations, tout autre travail d'entretien ou de réglage doivent être effectués dans un centre de service Makita agréé ou un centre de service de l'usine Makita, exclusivement avec des pièces de rechange Makita.

# ACCESSOIRES EN OPTION

## **⚠ ATTENTION :**

- Ces accessoires ou pièces complémentaires sont recommandés pour l'utilisation avec l'outil Makita spécifié dans ce mode d'emploi. L'utilisation de tout autre accessoire ou pièce complémentaire peut comporter un risque de blessure. N'utilisez les accessoires ou pièces qu'aux fins auxquelles ils ont été conçus.

Si vous désirez obtenir plus de détails concernant ces accessoires, veuillez contacter le centre de service après-vente Makita le plus près.

- Disques diamant (type à sec)
- Clé 22
- Clé hexagonale

## **NOTE :**

- Certains éléments de la liste peuvent être inclus avec l'outil comme accessoires standard. Ils peuvent varier suivant les pays.

## GARANTIE LIMITÉE MAKITA

Pour les conditions de garantie en vigueur qui s'appliquent à ce produit, veuillez vous reporter à la feuille de garantie en annexe. Si la feuille de garantie en annexe n'est pas disponible, reportez-vous aux détails de la garantie présentés sur le site Web de votre pays, ci-dessous.

États-Unis d'Amérique: [www.makitatools.com](http://www.makitatools.com)

Canada: [www.makita.ca](http://www.makita.ca)

Autres pays: [www.makita.com](http://www.makita.com)



# ESPECIFICACIONES

Modelo	4100NH2	
Diámetro de disco	110 mm (4-3/8")	125 mm (5")
Макс. толщина круга	2,0 mm (5/64")	2,1 mm (5/64")
Capacidad máxima de corte	a 90°	32,5 mm (1-1/4")
	a 45°	21,5 mm (7/8")
Velocidad reportada (n) / Velocidad sin carga (r.p.m.)	12 200 r/min	
Longitud total	238 mm (9-3/8")	
Peso neto	3,0 kg (6,6lbs)	

- Debido a nuestro programa continuo de investigación y desarrollo, las especificaciones aquí dadas están sujetas a cambios sin previo aviso.
- Las especificaciones pueden ser diferentes de país a país.
- Cuando se use con disco de 105 mm de diámetro, las capacidad máximas de corte son un tanto menores que aquellas que se muestran anteriormente con un disco de 110 mm de diámetro.
- Peso de acuerdo al procedimiento de EPTA-01/2003

## Advertencias de seguridad generales para herramientas eléctricas

**⚠ADVERTENCIA:** lea todas las advertencias de seguridad e instrucciones. Si no sigue todas las advertencias e instrucciones indicadas a continuación, podrá ocasionar una descarga eléctrica, un incendio y/o lesiones graves.

## Guarde todas las advertencias e instrucciones para su futura referencia.

El término "herramienta eléctrica" se refiere, en todas las advertencias que aparecen a continuación, a su herramienta eléctrica de funcionamiento con conexión a la red eléctrica (con cableado eléctrico) o herramienta eléctrica de funcionamiento a batería (inalámbrica).

### Seguridad en el área de trabajo

1. **Mantenga el área de trabajo limpia y bien iluminada.** Las áreas oscuras o desordenadas son propensas a accidentes.
2. **No utilice las herramientas eléctricas en atmósferas explosivas, tal como en la presencia de líquidos, gases o polvo inflamables.** Las herramientas eléctricas crean chispas que pueden prender fuego al polvo o los humos.
3. **Mantenga a los niños y curiosos alejados mientras utiliza una herramienta eléctrica.** Las distracciones le pueden hacer perder el control.

### Seguridad eléctrica

4. **Las clavijas de conexión de las herramientas eléctricas deberán encajar perfectamente en la toma de corriente. No modifique nunca la clavija de conexión de ninguna forma. No utilice ninguna clavija adaptadora con herramientas eléctricas que tengan conexión a tierra (puesta a tierra).** La utilización de clavijas no modificadas y que encajen perfectamente en la toma de corriente reducirá el riesgo de que se produzca una descarga eléctrica.

5. **Evite tocar con el cuerpo superficies conectadas a tierra o puestas a tierra tales como tubos, radiadores, cocinas y refrigeradores.** Si su cuerpo es puesto a tierra o conectado a tierra existirá un mayor riesgo de que sufra una descarga eléctrica.
6. **No exponga las herramientas eléctricas a la lluvia ni a condiciones húmedas.** La entrada de agua en una herramienta eléctrica aumentará el riesgo de que se produzca una descarga eléctrica.
7. **No jale el cable. Nunca utilice el cable para transportar, jalar o desconectar la herramienta eléctrica. Mantenga el cable alejado del calor, aceite, objetos cortantes o piezas móviles.** Los cables dañados o atrapados aumentan el riesgo de sufrir una descarga eléctrica.
8. **Cuando utilice una herramienta eléctrica en exteriores, utilice un cable de extensión apropiado para uso en exteriores.** La utilización de un cable apropiado para uso en exteriores reducirá el riesgo de que se produzca una descarga eléctrica.
9. **Si no es posible evitar usar una herramienta eléctrica en condiciones húmedas, utilice un alimentador protegido con interruptor de circuito de falla en tierra (ICFT).** El uso de un ICFT reduce el riesgo de descarga eléctrica.

### Seguridad personal

10. **Manténgase alerta, preste atención a lo que está haciendo y utilice su sentido común cuando opere una herramienta eléctrica. No utilice la herramienta eléctrica cuando esté cansado o bajo la influencia de drogas, alcohol o medicamentos.** Un momento de distracción mientras opera la máquina puede dar como resultado heridas personales graves.
11. **Use equipo de protección personal. Póngase siempre protección para los ojos.** El equipo protector tal como máscara contra el polvo, zapatos de seguridad antiderrapantes, casco rígido y protección para oídos utilizado en las condiciones apropiadas reducirá las heridas personales.

12. **Impida el encendido accidental. Asegúrese de que el interruptor esté en la posición de apagado antes de conectar a la alimentación eléctrica y/o de colocar el cartucho de la batería, así como al levantar o cargar la herramienta.** Cargar las herramientas eléctricas con su dedo en el interruptor o conectarlas con el interruptor encendido hace que los accidentes sean propensos.
13. **Retire cualquier llave de ajuste o llave de apriete antes de encender la herramienta.** Una llave de ajuste o llave de apriete que haya sido dejada puesta en una parte giratoria de la herramienta eléctrica podrá resultar en heridas personales.
14. **No utilice la herramienta donde no alcance. Mantenga los pies sobre suelo firme y el equilibrio en todo momento.** Esto permite un mejor control de la herramienta eléctrica en situaciones inesperadas.
15. **Use vestimenta apropiada. No use ropas sueltas ni joyas. Mantenga el cabello, la ropa y los guantes alejados de las partes móviles, ya que pueden ser atrapadas por estas partes en movimiento.**
16. **Si dispone de dispositivos para la conexión de equipos de extracción y recolección de polvo, asegúrese de conectarlos y utilizarlos debidamente.** La utilización de estos dispositivos reduce los riesgos relacionados con el polvo.

#### Mantenimiento y uso de la herramienta eléctrica

17. **No fuerce la herramienta eléctrica. Utilice la herramienta eléctrica correcta para su aplicación.** La herramienta eléctrica adecuada hará un trabajo mejor a la velocidad para la que ha sido fabricada.
18. **No utilice la herramienta eléctrica si el interruptor no la enciende y apaga.** Cualquier herramienta eléctrica que no pueda ser controlada con el interruptor es peligrosa y debe ser reemplazada.
19. **Desconecte la clavija de la fuente de energía y/o la batería de la herramienta eléctrica antes de realizar ajustes, cambiar accesorios o guardar las herramientas eléctricas.** Dichas medidas de seguridad preventivas reducen el riesgo de que la herramienta se inicie accidentalmente.
20. **Guarde la herramienta eléctrica que no use fuera del alcance de los niños y no permita**

que las personas que no están familiarizadas con ella o con las instrucciones la operen. Las herramientas eléctricas son peligrosas en manos de personas que no saben operarlas.

21. **Realice el mantenimiento a las herramientas eléctricas. Compruebe que no haya partes móviles desalineadas o estancadas, piezas rotas y cualquier otra condición que pueda afectar al funcionamiento de la herramienta eléctrica. Si la herramienta eléctrica está dañada, haga que se la reparen antes de utilizarla.** Muchos accidentes son ocasionados por herramientas eléctricas con un mal mantenimiento.
22. **Mantenga las herramientas de corte limpias y filosas.** Si recibe un mantenimiento adecuado y tiene los bordes afilados, es probable que la herramienta se atasque menos y sea más fácil controlarla.
23. **Utilice la herramienta eléctrica, así como accesorios, piezas, brocas, etc. de acuerdo con estas instrucciones y de la manera establecida para cada tipo de unidad en particular; tenga en cuenta las condiciones laborales y el trabajo a realizar.** Si utiliza la herramienta eléctrica para realizar operaciones distintas de las indicadas, podrá presentarse una situación peligrosa.

#### Servicio de mantenimiento

24. **Haga que una persona calificada repare la herramienta utilizando sólo piezas de repuesto idénticas.** Esto asegura que se mantenga la seguridad de la herramienta eléctrica.
25. **Siga las instrucciones para la lubricación y cambio de accesorios.**
26. **Mantenga las agarraderas secas, limpias y sin aceite o grasa.**

**UTILICE CABLES DE EXTENSIÓN APROPIADOS.** Asegúrese de que su cable de extensión esté en buenas condiciones. Cuando utilice un cable de extensión, asegúrese de utilizar uno del calibre suficiente para conducir la corriente que demande el producto. Un cable de calibre inferior ocasionará una caída en la tensión de línea y a su vez en una pérdida de potencia y sobrecalentamiento. La Tabla 1 muestra la medida correcta a utilizar dependiendo de la longitud del cable y el amperaje nominal indicado en la placa de características. Si no está seguro, utilice el siguiente calibre más alto. Cuanto menor sea el número de calibre, más corriente podrá conducir el cable.

Tabla 1. Calibre mínimo para el cable

Amperaje nominal		Volts	Longitud total del cable en metros			
		120V~	7,6 m (25 ft)	15,2 m (50 ft)	30,4 m (100 ft)	45,7 m (150 ft)
		220V~ - 240V~	15,2 m (50 ft)	30,4 m (100 ft)	60,8 m (200 ft)	91,2 m (300 ft)
Más de	No más de	Calibre del cable (AWG)				
0 A	6 A	/	18	16	16	14
6 A	10 A		18	16	14	12
10 A	12 A		16	16	14	12
12 A	16 A		14	12	No se recomienda	

## ADVERTENCIAS DE SEGURIDAD PARA LA CORTADORA

- 1. El protector que se incluye con la herramienta debe quedar firmemente colocado en la herramienta eléctrica a una posición de seguridad máxima, de tal forma que quede en lo posible con la menor área del disco expuesta al operador. Usted y las personas alrededor deberán posicionarse de tal forma que queden alejados del plano del disco cortador giratorio.** El protector ayuda a proteger al operador de fragmentos rotos y de contacto accidental con el disco.
- 2. Use solamente discos cortadores de diamante para su herramienta eléctrica.** Sólo porque un aditamento pueda ensamblarse en su herramienta eléctrica no garantiza una operación segura.
- 3. La velocidad que se indica con el accesorio debe ser por lo menos la misma a la velocidad máxima marcada en la herramienta eléctrica.** Los accesorios que se ejecuten a mayor velocidad que la velocidad que indiquen pueden desintegrarse.
- 4. Los discos deben sólo usarse para las aplicaciones recomendadas. Por ejemplo: no haga operaciones de esmerilado con la parte plana del disco de corte.** Los discos abrasivos de corte están diseñados para el corte periférico; puede que las fuerzas aplicadas lateralmente a estos discos ocasionen su rompimiento en pedazos.
- 5. Siempre utilice bridas de disco sin daño que sean del diámetro correcto para el disco seleccionado.** Las bridas de disco adecuadas soportan el disco reduciendo así la posibilidad de rotura del disco.
- 6. El diámetro externo y el grosor de su accesorio debe estar dentro de la capacidad indicada de su herramienta eléctrica.** Los accesorios de tamaño que no corresponda para usarse con la herramienta no podrán ser controlados o protegidos adecuadamente.
- 7. El tamaño de eje de discos y bridas se debe ajustar adecuadamente al eje de la herramienta motorizada.** Los discos y bridas con orificios para los ejes que no se ajustan a los accesorios de montaje de la herramienta motorizada, se saldrán de balance vibrando excesivamente y pueden ocasionar pérdida del control.
- 8. No use discos dañados. Antes de cada uso, inspeccione si los discos tienen escarinas y grietas. Si la herramienta motorizada o el disco se dejan caer, inspeccione si se dañó o instale un disco sin daños. Después de inspeccionar e instalar el disco, colóquense usted y los transeúntes lejos del plano del disco en rotación y arranque la herramienta motorizada a velocidad máxima sin carga durante 1 minuto.** Los discos dañados normalmente se despedazan durante este tiempo.
- 9. Use equipo de protección personal. Dependiendo de la aplicación, use careta protectora, goggles de seguridad o lentes de seguridad. Según sea apropiado, use mascarilla contra polvo, protección auditiva, guantes y mandil para taller capaces de detener pequeños fragmentos abrasivos o de la pieza de trabajo.** La protección para los ojos debe ser capaz de detener desperdicios que vuelan generados por varias operaciones. La mascarilla contra polvo o respirador debe ser capaz de filtrar partículas generadas por su operación. La exposición prolongada a ruido de intensidad alta puede causar pérdida auditiva.
- 10. Mantenga a los transeúntes a una distancia segura lejos del área de trabajo. Cualquiera que entre al área de trabajo debe usar equipo de protección personal.** Fragmentos de la pieza de trabajo o de un disco roto pueden salir volando y causar lesiones más allá del área de operación inmediata.
- 11. Cuando realice una operación donde el accesorio de corte pueda entrar en contacto con cableado oculto o con su propio cable, sujete la herramienta eléctrica sólo por las superficies de asimiento aisladas.** Si el accesorio giratorio hace contacto con un cable con corriente, las piezas metálicas expuestas de la herramienta eléctrica se electrificarán también y el operador puede recibir una descarga.
- 12. Coloque el cable de forma que esté despejado del disco que esté girando.** Si llegara a perder el control, puede que el cable se corte o enrede y que su mano o brazo se jale hacia el disco girando.
- 13. Nunca coloque la herramienta eléctrica en el suelo hasta que el accesorio se haya detenido por completo.** Puede que el disco que esté girando haga tracción con la superficie y que jale la herramienta eléctrica quitándole el control.
- 14. No ejecute la herramienta eléctrica cuando la esté cargando a su costado.** El contacto accidental con un accesorio giratorio pudiera engancharse en su ropa jalando la herramienta hacia su cuerpo.
- 15. Limpie periódicamente las aberturas de ventilación de la herramienta eléctrica.** El ventilador del motor atraerá polvo hacia adentro de la carcasa y puede que la acumulación excesiva de polvo metálico ocasione daños eléctricos.
- 16. No opere la herramienta motorizada cerca de materiales inflamables.** Las chispas podrían inflamar estos materiales.
- 17. No utilice accesorios que requieran de líquidos enfriadores.** El uso de agua o de cualquier otro líquido enfriador puede que resulte en descargas eléctricas o electrocución.

### Reacciones bruscas y advertencias relacionadas

El retroceso brusco es una reacción repentina que se genera cuando el disco se atasca o se traba mientras está girando. El atascamiento o trabado genera una rápida detención del disco giratorio lo cual a su vez genera que la herramienta eléctrica no controlada se fuerce en la dirección opuesta a la rotación del disco en el punto de atascamiento.

Por ejemplo, si un disco abrasivo se traba o atasca debido a la pieza de trabajo, el borde del disco que está ingresando hacia el punto de atascamiento puede introducirse hacia la superficie del material ocasionando que el disco se salga bruscamente. Puede que el disco salte hacia el operador o hacia dirección opuesta de él, dependiendo de la dirección del movimiento del disco al momento del atascamiento. Puede que además los discos abrasivos se rompan bajo estas condiciones.

La reacción de retroceso es el resultado del mal uso de la herramienta motorizada y/o procedimientos o condiciones de operación incorrectas y se puede evitar tomando las precauciones adecuadas que se dan a continuación.

- a) **Mantenga una sujeción firme de la herramienta eléctrica y coloque su cuerpo y brazo de tal forma que pueda contener la fuerza de un retroceso brusco. De estar disponible, utilice siempre el mango auxiliar para un control máximo durante un retroceso brusco o reacción de torsión durante el inicio de la herramienta.** El operador puede controlar las reacciones de torsión o fuerzas del retroceso brusco siempre y cuando se lleven a cabo las precauciones adecuadas.
- b) **Nunca coloque su mano detrás del accesorio giratorio.** Puede que el accesorio genere un retroceso brusco sobre su mano.
- c) **Evite colocar su cuerpo en línea directa del disco al estar girando.** El retroceso brusco proyectará la herramienta en dirección opuesta al movimiento del disco en el punto de trabado.
- d) **Tenga especial cuidado al trabajar con esquinas, bordes afilados, etc. Evite el tambaleo y trabado del accesorio.** Las esquinas, bordes afilados o los rebotes tienen la tendencia de trabar el accesorio giratorio y causar una pérdida del control o un retroceso brusco.
- e) **No coloque una cadena de sierra, accesorio para labrar madera, disco de diamante segmentado con un espacio periférico de separación mayor a 10 mm, ni disco dentado.** Dichos discos generan retroceso bruscos y pérdida del control con frecuencia.
- f) **Evite trabar el disco al aplicar presión excesiva. No intente hacer un corte de profundidad excesiva.** Aplicar presión excesiva al disco incrementa la carga y susceptibilidad a que se tuerza o atasque durante el corte, y de que se genere un retroceso brusco o rotura del disco.
- g) **Cuando el disco se atasque o interrumpa el corte por cualquier razón, apague la herramienta eléctrica y sosténgala sin mover hasta que el disco se detenga por completo. No intente nunca retirar el disco del corte mientras el disco esté moviéndose porque podrá ocasionar un retroceso brusco.** Investigue y tome medidas correctivas para eliminar la causa del estancamiento del disco.
- h) **Evite reiniciar la operación de corte en la pieza de trabajo. Permita que el disco adquiera velocidad completa y luego con cuidado reintroduzca el disco en el corte.** Puede que el disco se atasque, se salga del camino o que genere un retroceso brusco si se reinicia estando insertado en la pieza de trabajo.
- i) **Proporcione apoyo a los paneles grandes o cualquier pieza de trabajo de mayor tamaño para minimizar el riesgo de que el disco se estanque y de retroceso.** Los paneles grandes tienden a hundirse bajo su propio peso. Deben colocarse soportes bajo la pieza de trabajo a ambos lados del disco, cerca de la línea de corte y del borde de la misma.

j) **Proceda con extrema precaución al realizar un corte de cavidad en paredes existentes u otras áreas ciegas.** La parte saliente del disco puede cortar tubería de gas o agua, así como cableado eléctrico u objetos que produzcan un retroceso brusco.

- 18. **Antes de usar un disco de diamante segmentado, asegúrese de que el disco de diamante cuente con una separación a su alrededor entre los segmentos de 10 mm o menos, solo con un ángulo de corte negativo.**

**Advertencias de seguridad adicionales:**



- 19. **Nunca intente cortar con la herramienta sostenida de cabeza en un tornillo de banco. Esto puede conducir a accidentes graves, porque es extremadamente peligroso.**
- 20. **Algunos materiales contienen sustancias químicas que pueden ser tóxicas. Tome precauciones para evitar la inhalación de polvo o que éste tenga contacto con la piel. Consulte la información de seguridad del proveedor de los materiales.**

## GUARDE ESTAS INSTRUCCIONES.

**⚠ADVERTENCIA: NO DEJE que la comodidad o familiaridad con el producto (a base de utilizarlo repetidamente) sustituya la estricta observancia de las normas de seguridad para dicho producto. El MAL USO o el no seguir las normas de seguridad establecidas en este manual de instrucciones puede ocasionar graves lesiones personales.**

### Símbolos

A continuación se muestran los símbolos utilizados para la herramienta.

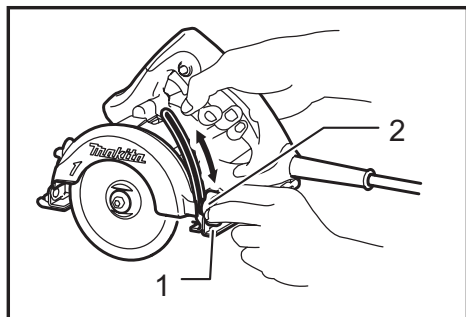
V	volts o voltios
A	ampere o amperio
Hz	hertz o hercios
	corriente alterna
n	velocidad clasificada
n <sub>0</sub>	velocidad en vacío o sin carga
	Construcción clase II
... /min r/min	revoluciones o alternancias por minuto, frecuencia de rotación

# DESCRIPCIÓN DEL FUNCIONAMIENTO

## ⚠️ PRECAUCIÓN:

- Asegúrese siempre de que la herramienta esté apagada y desconectada antes de ajustar o comprobar cualquier función en la misma.

## Ajuste de la profundidad de corte



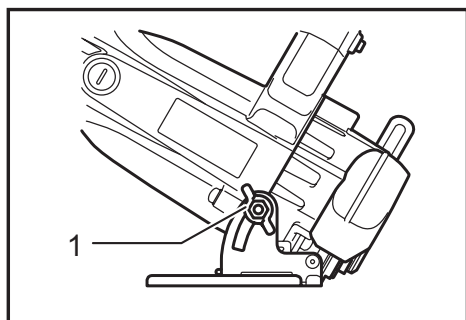
► 1. Base 2. Tuerca de fijación

Afloje la tuerca de sujeción sobre la guía de profundidad y mueva la base hacia arriba o hacia abajo. A la profundidad deseada de corte, fije la base al apretar la tuerca de sujeción.

## ⚠️ PRECAUCIÓN:

- Después de ajustar la profundidad de corte, siempre apriete la tuerca de sujeción firmemente.

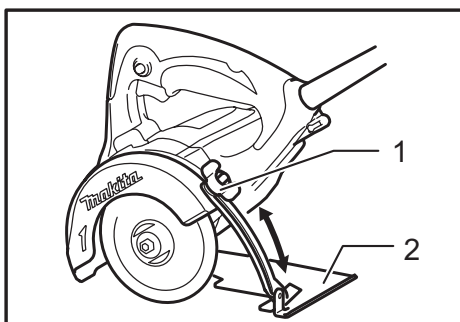
## Ajuste del ángulo de biselado



► 1. Tuerca de fijación

Afloje la tuerca de sujeción en la placa de la escala de medición de bisel sobre la parte delantera de la base. Ajuste el ángulo deseado (entre 0 y 45 grados) al ladear según corresponda, y luego apriete a mano la tuerca de sujeción con firmeza.

Afloje la tuerca de sujeción sobre la guía de profundidad y mueva la base hacia arriba o hacia abajo. A la profundidad deseada de corte, fije la base al apretar la tuerca de sujeción.

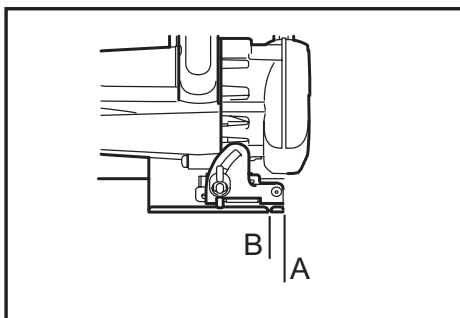


► 1. Tuerca de fijación 2. Base

## ⚠️ PRECAUCIÓN:

- Después de ajustar la profundidad de corte, siempre apriete la tuerca de sujeción firmemente.

## Guía visual

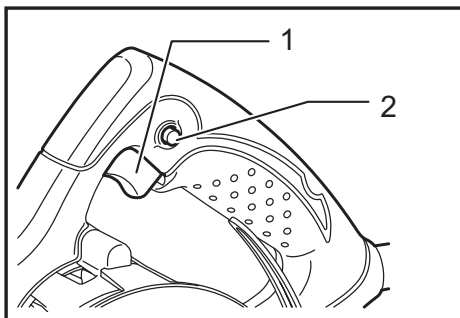


Para cortes rectos, alinee A con su línea de corte sobre la pieza de trabajo. Para cortes de bisel a 45°, alinee B con ésta.

## Accionamiento del interruptor

## ⚠️ PRECAUCIÓN:

- Antes de conectar la herramienta, compruebe siempre que el gatillo interruptor se acciona debidamente y que vuelve a la posición "OFF" (apagado) cuando lo suelta.



► 1. Gatillo interruptor 2. Botón de bloqueo / Botón de desbloqueo

## Para herramienta con botón de bloqueo

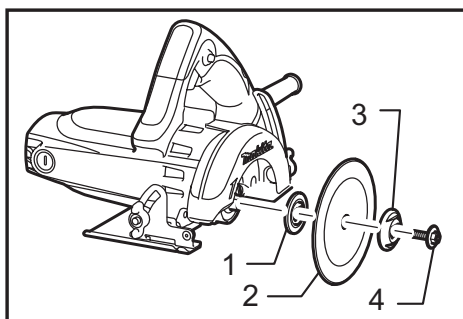
Para iniciar la herramienta, solo tiene que jalar el gatillo interruptor. Suelte el gatillo interruptor para parar la herramienta. Para una operación continua, jale el gatillo interruptor, presione el botón de bloqueo y luego libere el gatillo interruptor. Para parar la herramienta desde la posición de bloqueo, jale el gatillo por completo y luego suéltelo.

## Para herramienta con botón de desbloqueo

La herramienta posee un botón de desbloqueo a fin de evitar que el gatillo interruptor se accione accidentalmente. Para encender la herramienta, pulse este botón y accione el gatillo. Para detener la herramienta, suelte el gatillo interruptor.

### ⚠️ PRECAUCIÓN:

- No accione el gatillo interruptor con fuerza sin antes presionar el botón de desbloqueo (lock-off). Esto podría ocasionar la rotura del interruptor.



- 1. Brida interior 2. Disco de diamante 3. Brida exterior 4. Tornillo hexagonal

### ⚠️ PRECAUCIÓN:

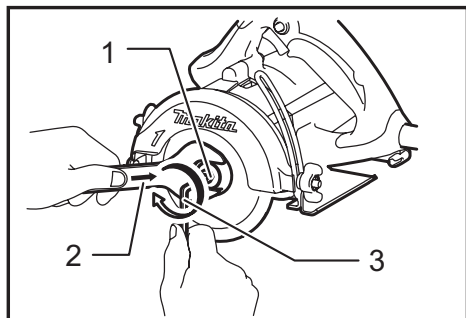
- Use solamente llave hexagonal Makita proporcionada para quitar o poner el disco.

## ENSAMBLE

### ⚠️ PRECAUCIÓN:

- Asegúrese siempre de que la herramienta esté apagada y desconectada antes de realizar cualquier trabajo en la misma.

## Cómo instalar y desinstalar el disco de diamante



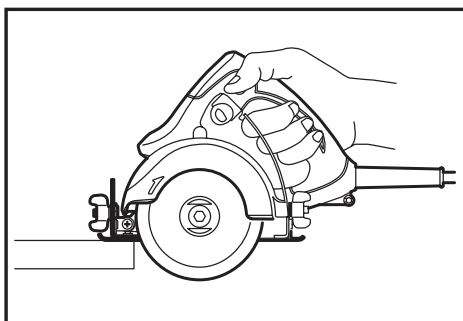
- 1. Brida exterior 2. Llave 3. Llave hexagonal

Sujete la brida exterior con la llave y afloje el perno hexagonal en sentido de las agujas del reloj con la llave hexagonal. Luego retire el perno hexagonal, así como la brida exterior y el disco de diamante.

Para instalar el disco, siga el procedimiento de desmontar a la inversa. Siempre coloque el disco de tal forma que la flecha en éste apunte hacia la misma dirección que la flecha sobre la caja del disco.

**ASEGÚRESE DE APRETAR EL PERNO HEXAGONAL CON FIRMEZA.**

## OPERACIÓN



Sujete la herramienta firmemente. Coloque la base de la placa sobre la pieza de trabajo a ser cortada sin que haga contacto con el disco cortador. Luego encienda la herramienta y espere hasta que el disco adquiera velocidad completa. Avance la herramienta sobre la superficie de la pieza de trabajo, manteniéndola plana y deslizándola suavemente hacia delante hasta terminar la operación de corte. Conserve su línea de corte de manera recta, así como una velocidad uniforme al avanzar.

### ⚠️ PRECAUCIÓN:

- Esta herramienta se debe utilizar solamente en superficies horizontales.
- Asegúrese de mover la herramienta hacia adelante en línea recta y suavemente. Forzar y ejercer presión excesiva o permitir que el disco se doble, pellizque o tuerza en el corte puede causar sobrecalentamiento del motor y reacción de retroceso peligrosa de la herramienta.

## Al usar un disco de diamante para cortes curvos (accesorio opcional)

**⚠ ADVERTENCIA:** No seguir las siguientes advertencias puede que resulte en graves lesiones.

- Instale el disco de diamante en el eje de la herramienta asegurándose que la dirección de la flecha en la superficie del disco de diamante corresponda con la dirección de la flecha en la caja del disco de la herramienta.
- Use siempre las gafas protectoras para los ojos.
- La velocidad clasificada que se indica con el disco de diamante debe ser por lo menos la misma a la velocidad máxima marcada en la herramienta eléctrica. Los discos de diamante que se ejecuten a mayor velocidad que la velocidad indicada pueden desintegrarse.
- Antes de cada uso, asegúrese visual y manualmente que el disco de diamante no presente deformaciones, grietas, astillas, roturas o desgaste anormal tanto en el borde cortador, como en el cuerpo del disco de diamante.
- Pare de usar el disco de diamante una vez que haya descubierto dichas señales de anomalía.
- Realice los cortes de acuerdo a la forma del disco de diamante para cortes curvos.
- No obtenga la profundidad de su corte deseado al instante, sino haga varios ajustes al configurar para cortes de profundidad de menor cantidad.

## MANTENIMIENTO

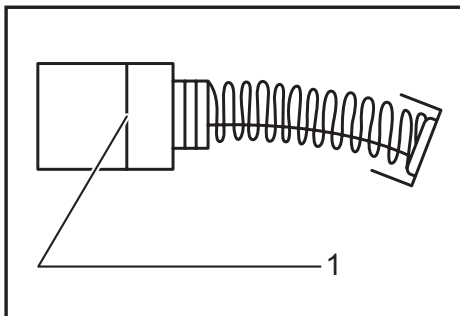
**⚠ PRECAUCIÓN:**

- Asegúrese siempre que la herramienta esté apagada y desconectada antes de intentar realizar una inspección o mantenimiento.
- Nunca use gasolina, bencina, diluyente (tíner), alcohol o sustancias similares. Puede que esto ocasione grietas o descoloramiento.

### Luego del uso

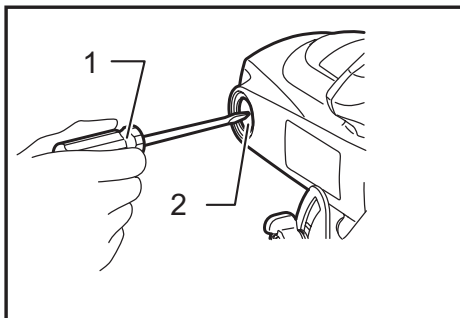
Sople el polvo del interior de la herramienta haciéndola funcionar sin carga por un rato. Cepille la acumulación de polvo en la base. La acumulación de polvo en el motor o la base puede causar descompostura de la herramienta.

## Reemplazamiento de las escobillas de carbón



► 1. Marca límite

Extraiga e inspeccione de forma periódica las escobillas de carbón. Sustitúyalas cuando se hayan gastado hasta la marca límite. Mantenga las escobillas de carbón limpias de forma que entren libremente en los portaescobillas. Ambas escobillas de carbón deberán ser sustituidas al mismo tiempo. Utilice únicamente escobillas de carbón originales e idénticas. Utilice un destornillador para quitar las tapas de los portaescobillas. Extraiga las escobillas gastadas, inserte las nuevas y vuelva a colocar las tapas.



► 1. Destornillador 2. Tapa del carbón

Para mantener la **SEGURIDAD** y **FIABILIDAD** del producto, las reparaciones, y cualquier otra tarea de mantenimiento o ajuste deberán ser realizadas en Centros de Servicio Autorizados por Makita, empleando siempre repuestos Makita.

# ACCESORIOS OPCIONALES

## **⚠️ PRECAUCIÓN:**

- Estos accesorios o aditamentos (incluidos o no) están recomendados para utilizar con su herramienta Makita especificada en este manual. El empleo de cualesquiera otros accesorios o acoplamientos conllevará un riesgo de sufrir heridas personales. Utilice los accesorios o acoplamientos solamente para su fin establecido.

Si necesita cualquier ayuda para más detalles en relación con estos accesorios, pregunte a su centro de servicio Makita local.

- Discos de diamante (tipo seco)
- Llave 22
- Llave hexagonal

## **NOTA:**

- Algunos de los artículos en la lista puede que vengan junto con el paquete de la herramienta como accesorios incluidos. Puede que estos accesorios varíen de país a país.

## **GARANTÍA LIMITADA DE MAKITA**

### **Ésta Garantía no aplica para México**

Consulte la hoja de la garantía anexa para ver los términos más vigentes de la garantía aplicable a este producto. En caso de no disponer de esta hoja de garantía anexa, consulte los detalles sobre la garantía descritos en el sitio web de su país respectivo indicado a continuación.

Estados Unidos de América: [www.makitatools.com](http://www.makitatools.com)

Canadá: [www.makita.ca](http://www.makita.ca)

Otros países: [www.makita.com](http://www.makita.com)









< USA only >

# WARNING

Some dust created by power sanding, sawing, grinding, drilling, and other construction activities contains chemicals known to the State of California to cause cancer, birth defects or other reproductive harm. Some examples of these chemicals are:

- lead from lead-based paints,
- crystalline silica from bricks and cement and other masonry products, and
- arsenic and chromium from chemically-treated lumber.

Your risk from these exposures varies, depending on how often you do this type of work. To reduce your exposure to these chemicals: work in a well ventilated area, and work with approved safety equipment, such as those dust masks that are specially designed to filter out microscopic particles.

< Sólo en los Estados Unidos >

# ADVERTENCIA

Algunos polvos creados por el lijado, aserrado, esmerilado, taladrado y otras actividades de la construcción contienen sustancias químicas reconocidas por el Estado de California como causantes de cáncer, defectos de nacimiento y otros peligros de reproducción. Algunos ejemplos de estos productos químicos son:

- plomo de pinturas a base de plomo,
- sílice cristalino de ladrillos y cemento y otros productos de albañilería, y
- arsénico y cromo de maderas tratadas químicamente.

El riesgo al que se expone varía, dependiendo de la frecuencia con la que realice este tipo de trabajo. Para reducir la exposición a estos productos químicos: trabaje en un área bien ventilada y póngase el equipo de seguridad indicado, tal como las máscaras contra polvo que están especialmente diseñadas para filtrar partículas microscópicas.

**Makita Corporation**

3-11-8, Sumiyoshi-cho,  
Anjo, Aichi 446-8502 Japan

[www.makita.com](http://www.makita.com)

885142B946  
EN, FRCA, ESMX  
20190705